

# **WYZE SPRINKLER CONTROLLER**

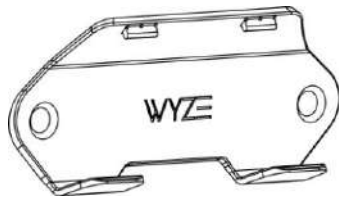
## **Manual**

**WSPRK1**

## Introduction

Congratulations on purchasing a Wyze Sprinkler Controller. This Quick Reference Guide describes how to install, operate, and maintain your controller. Please read the instructions below.

## Package List



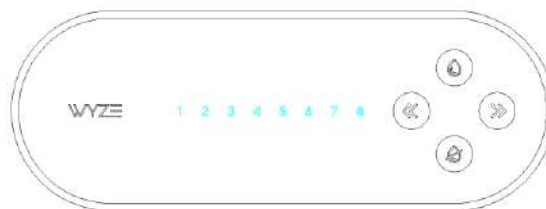
Mount



screws and anchors



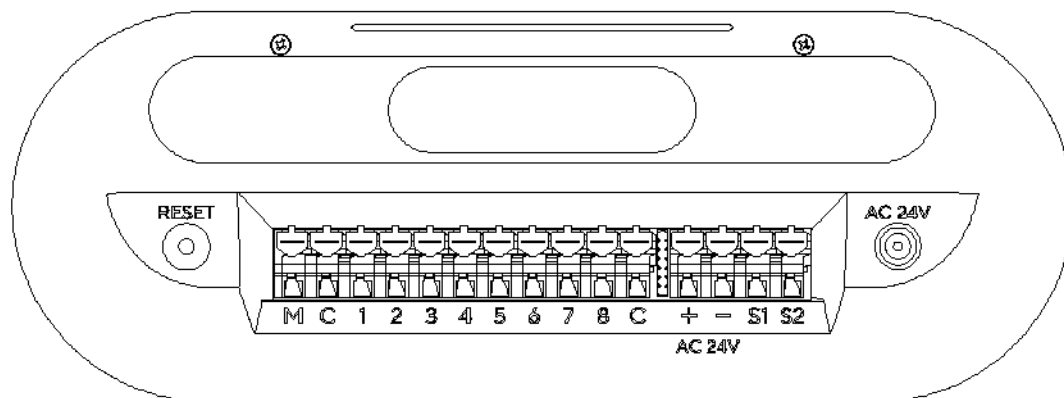
power adapter



Sprinkler Controller

## Controller Stations

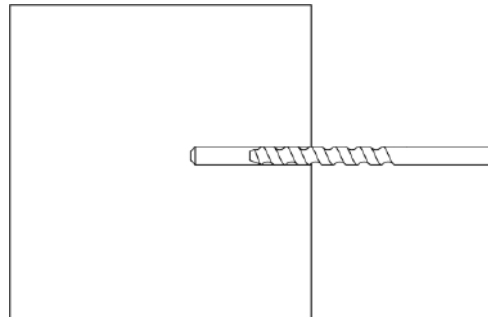
Wyze Sprinkler is an 8-station controller. Each station is connected to a sprinkler valve. The specific valve turns on when it receives a signal from the controller, and then the sprinkler will start watering. When the watering task is finished, the controller will shut off the valve and turn on the next one in sequence.



## Step-by-Step Instructions

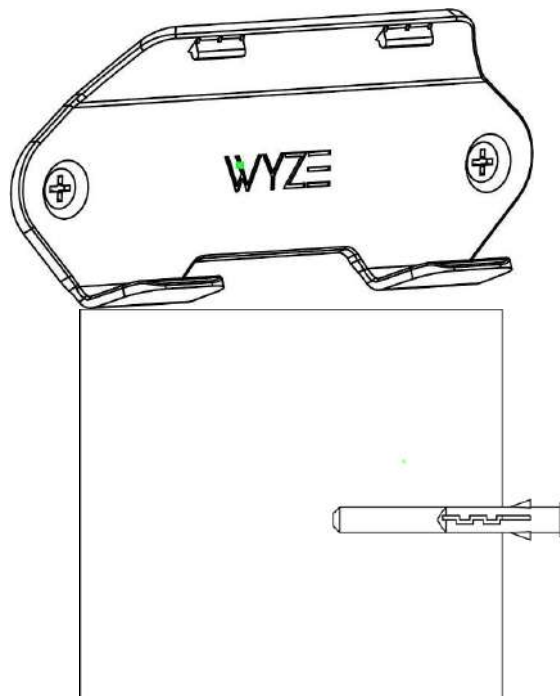
### Step 1 Drilling on the wall

Drill two holes at the installation position, the size of the holes is  $\varnothing 6\text{mm} \times 40\text{mm}$ , and the distance between the two holes is 90mm. If the installation wall is made of wood, please see step 3.



## Step 2 Installing anchors

Tap the anchors into the holes on the wall.

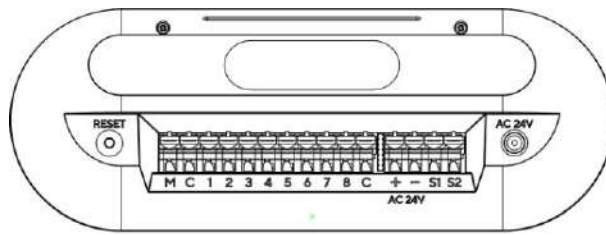


## Step 3 Mounting

Screw the mount on the wall.

## Step 4 Wiring

Connect power adapter, valve wires and sensors to corresponding terminals.



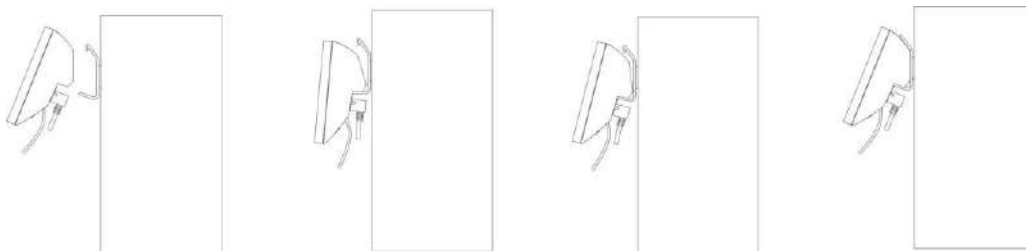
### Step 5 Installing controller

Place the back of the controller at the lower end of the mount and push the controller up into the mount.

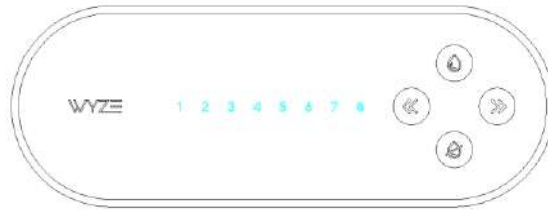
### Step 6 App setup



Download the Wyze APP and select "Add a product" , then the app will guide you to complete the setup process. After finishing the system setup, you can create the irrigation tasks.



## Manual Controls



You can run the zone watering easily on the device. Press the left and right button to select a zone. Press the WATERING button (the upper one) to start a quick run immediately and press the STOP button (the lower one) to stop the watering.

## Troubleshooting

### **One or more stations do not turn on:**

1. Faulty valve.
2. Wire broken or not connected.

### **One station is stuck on and will not shut off:**

1. Faulty valve.
2. Particles of dirt or debris stuck in the valve.
3. Valve diaphragm faulty.

### **Controller is not online:**

1. Power adapter not plugged into an operational AC outlet.
2. Wi-Fi connection unstable.

## **FCC Statement**

This device complies with part 15 of the FCC rules. Operation is subject to the following two conditions: (1) this device may not cause harmful interference, and (2) this device must accept any interference received, including interference that may cause undesired operation.

Changes or modifications not expressly approved by the party responsible for compliance could void the user's authority to operate the equipment.

NOTE: This equipment has been tested and found to comply with the limits for a Class B digital device, pursuant to part 15 of the FCC Rules. These limits are designed to provide reasonable protection against harmful interference in a residential installation. This equipment generates uses and can radiate radio frequency energy and, if not installed and used in accordance with the instructions, may cause harmful interference to radio communications. However, there is no guarantee that interference will not occur in a particular installation. If this equipment does cause harmful interference to radio or television reception, which can be determined by turning the equipment off and on, the user is encouraged to try to correct the interference by one or more of the following measures:

- Reorient or relocate the receiving antenna.
- Increase the separation between the equipment and receiver.
- Connect the equipment into an outlet on a circuit different from that to which the receiver is connected.
- Consult the dealer or an experienced radio/TV technician for help important announcement

Important Note:

## **Radiation Exposure Statement**

This equipment complies with FCC radiation exposure limits set forth for an uncontrolled environment. This equipment should be installed and operated with minimum distance 20cm between the radiator and your body.

This transmitter must not be co-located or operating in conjunction with any other antenna or transmitter.

## **ISED Statement**

-English: This device complies with Industry Canada license-exempt RSS standard(s). Operation is subject to the following two conditions: (1) This device may not cause interference, and (2) This device must accept any interference, including interference that may cause undesired operation of the device. The digital apparatus complies with Canadian CAN ICES-3 (B)/NMB-3(B).

- French: Le présent appareil est conforme aux CNR d'Industrie Canada applicables aux appareils

radio exempts de licence. L'exploitation est autorisée aux deux conditions suivantes: (1) l'appareil ne doit pas produire de brouillage, et (2) l'utilisateur de l'appareil doit accepter tout brouillage radioélectrique subi, même si le brouillage est susceptible d'empêcher le fonctionnement.

This radio transmitter (ISED certification number: 26041-WSPRK1) has been approved by Industry Canada to operate with the antenna types listed with the maximum permissible gain indicated. Antenna types not included in this list, having a gain greater than the maximum gain indicated for that type, are strictly prohibited for use with this device.

Le présent émetteur radio (ISED certification number: 26041-WSPRK1) a été approuvé par Industrie Canada pour fonctionner avec les types d'antenne énumérés ci-dessous et ayant un gain admissible maximal. Les types d'antenne non inclus dans cette liste, et dont le gain est supérieur au gain maximal indiqué, sont strictement interdits pour l'exploitation de l'émetteur.

## **Radiation Exposure Statement**

This equipment complies with Canada radiation exposure limits set forth for an uncontrolled environment. This equipment should be installed and operated with minimum distance 20cm between the radiator & your body.

## **Déclaration d'exposition aux radiations**

Cet équipement est conforme Canada limites d'exposition aux radiations dans un environnement non contrôlé. Cet équipement doit être installé et utilisé à distance minimum de 20cm entre le radiateur et votre corps.