



RAZER KAIRA X

MASTER GUIDE

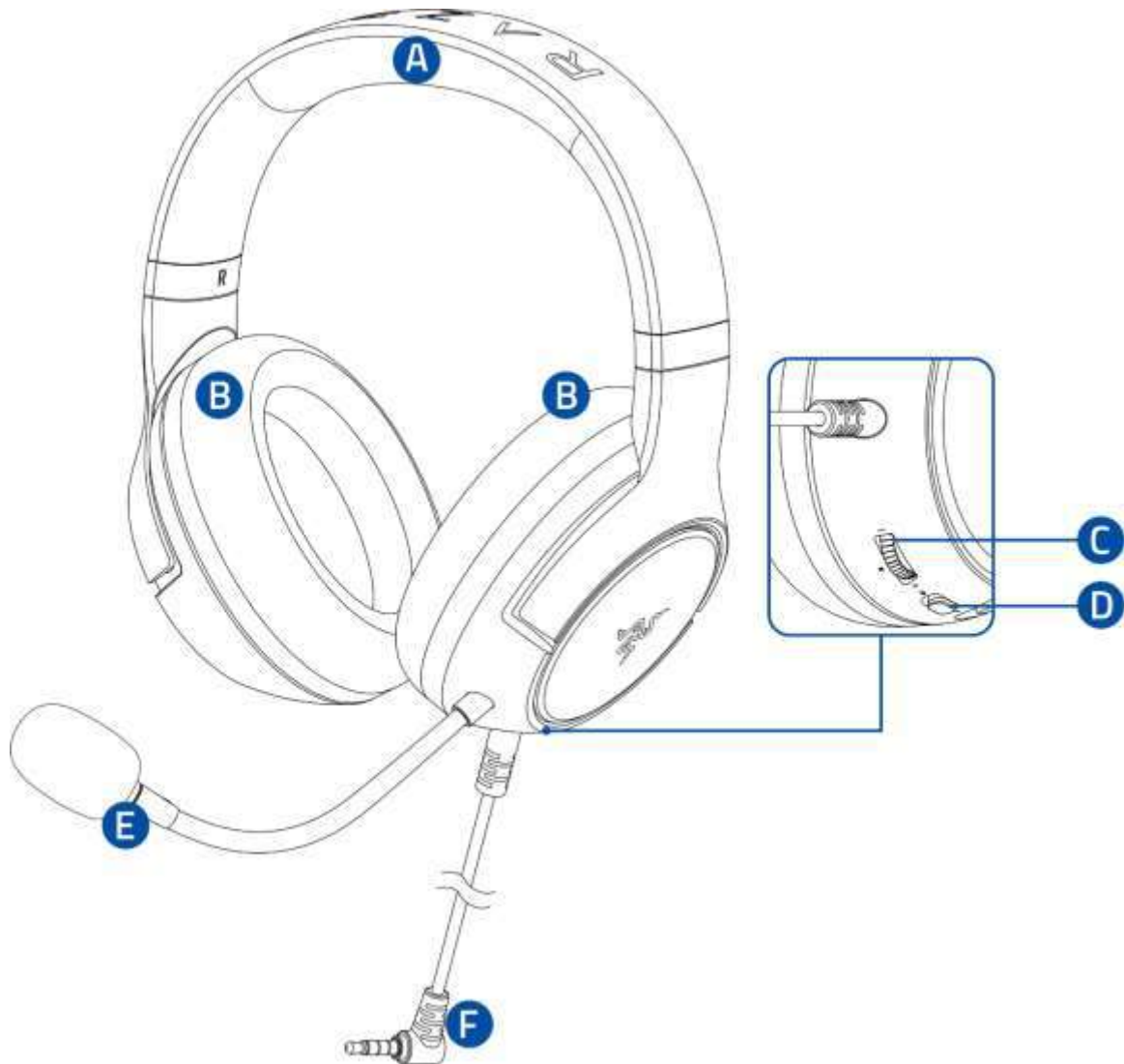
Conquer on console and beyond with the **Razer Kaira X**—a wired PlayStation 5 headset designed for maximum audio performance and cross-platform compatibility. Armed with bleeding-edge drivers and a crystal-clear mic, enjoy competition-ready audio no matter where you game on.

CONTENTS

1. WHAT'S INSIDE	3
2. WHAT'S NEEDED	4
3. LET'S GET YOU COVERED.....	4
4. TECHNICAL SPECIFICATIONS	5
5. USING YOUR RAZER KAIRA X.....	6
6. SAFETY AND MAINTENANCE	9
7. LEGALESE.....	10

1. WHAT'S INSIDE

- Razer Kaira X



- A. Auto-adjusting headband
- B. Razer™ FlowKnit memory foam ear cushions
- C. Volume wheel
- D. Mic mute switch
- E. Bendable Razer™ HyperClear cardioid mic
- F. 3.5 mm audio + mic jack

- Important Product Information Guide

2. WHAT'S NEEDED

Audio usage

- Devices with 3.5 mm audio port

Audio + microphone usage

- Devices with 3.5 mm audio + mic combined port*

**Compatible with PS5™ consoles / PS4™ consoles. PC compatibility not tested nor endorsed by Sony Interactive Entertainment.*

3. LET'S GET YOU COVERED



Register your product and score exclusive benefits
razerid.razer.com/warranty

*Your product's
serial number
can be found
here.*



4. TECHNICAL SPECIFICATIONS

HEADPHONES

- Frequency response: 20 Hz – 20 kHz
- Impedance: 32Ω
- Sensitivity (@1 kHz): 96 dB SPL / mW
- Drivers: 50 mm, with Neodymium magnets
- Inner ear cup diameter: Width 45 mm / Length 65 mm
- Oval ear cushions: Designed for full-ear coverage with heat-transfer fabric, perfect for long-wearing comfort
- Connection type: Direct to controller / PC via 3.5 mm cable

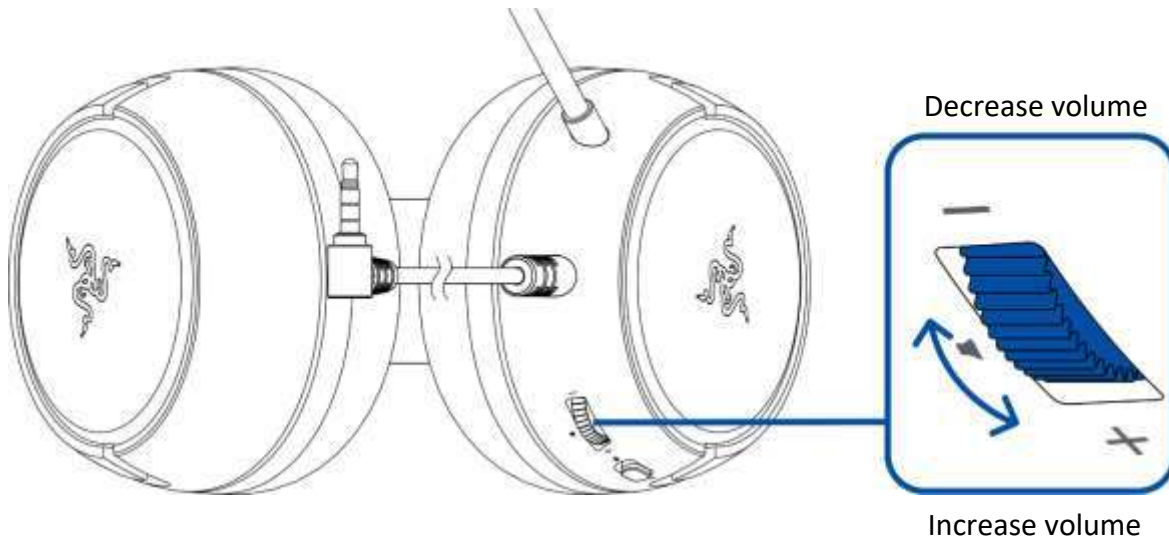
MICROPHONE

- Frequency response: 100 Hz – 10 kHz
- Signal-to-noise ratio: ≥ 60 dB
- Sensitivity (@1 kHz): -42 ± 3 dB
- Pick-up pattern: Unidirectional

5. USING YOUR RAZER KAIRA X

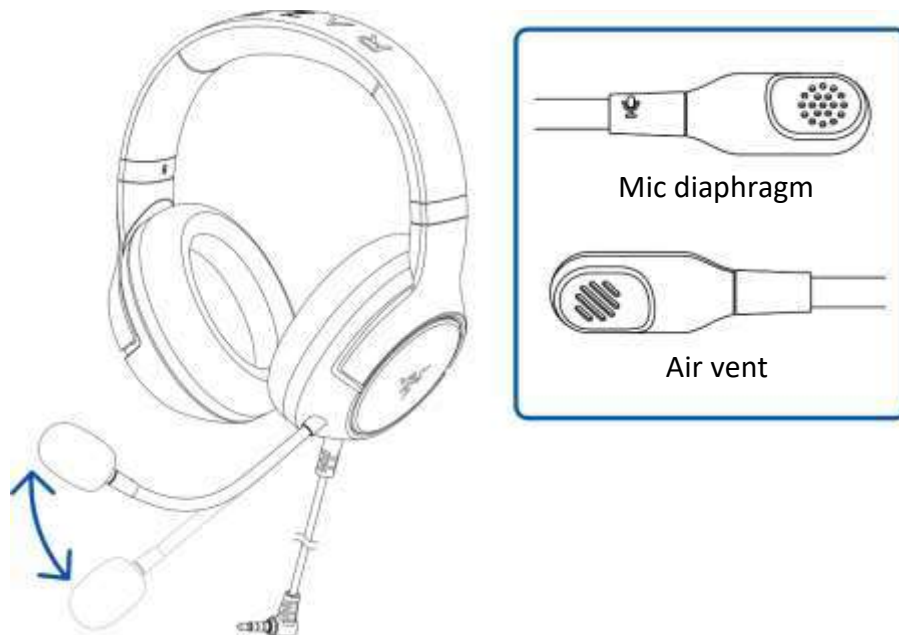
VOLUME WHEEL

Rotate the volume wheel to increase or decrease the volume.



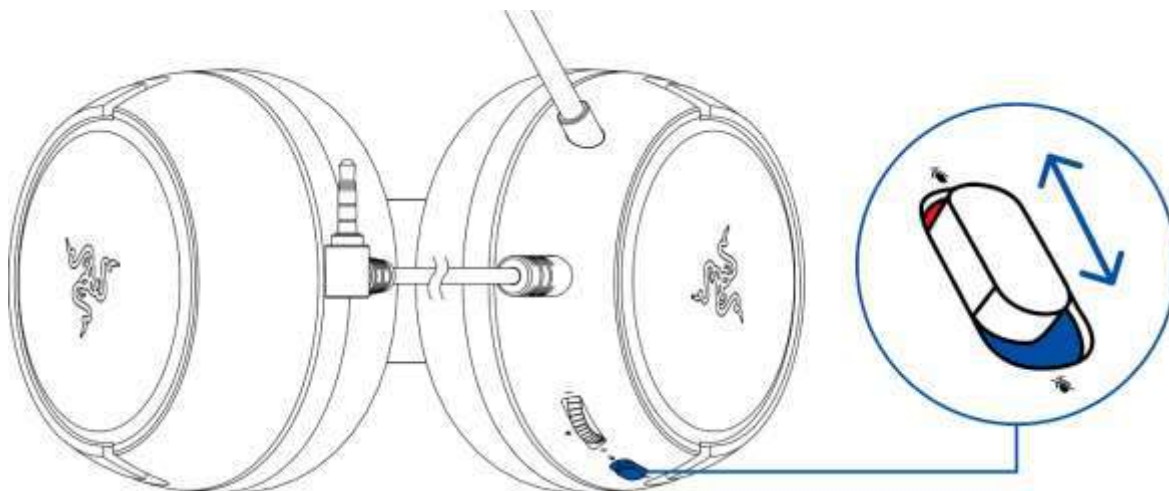
RAZER™ HYPERCLEAR CARDIOID MICROPHONE

Bend the mic until it is parallel to your mouth. Make sure the mic diaphragm is in front, and the air vent is facing away from your mouth.



- ! *The recommended mic-to-mouth distance for optimal sound capture is 1.5 cm to 3 cm (0.59 in to 1.18 in).*

Slide the mic mute switch to mute or unmute the microphone.



EXTENDING YOUR HEADSET'S LIFESPAN

It's recommended to gently stretch the headset before placing it over your head to minimize headband stress; however, don't stretch the headset beyond its limits.



ACTIVATE THE 7.1 SURROUND SOUND*

Experience accurate positional sound specifically designed for games, movies, and music.

1. Download the 7.1 Surround Sound software from razer.com/7.1-surround-sound.
2. Register your product at razerid.razer.com/products to get your activation code sent to your email.

**Only available on Windows® 10 64-bit (or higher).*

6. SAFETY AND MAINTENANCE

SAFETY GUIDELINES

To achieve maximum safety while using your Razer Kaira X, we suggest that you adopt the following guidelines:

Should you have trouble operating the device properly and troubleshooting does not work, unplug the device and contact the Razer hotline or go to support.razer.com for assistance.

Don't take apart the device, and do not attempt to operate it under abnormal current loads. Doing so will void your warranty.

Keep the device away from liquid, humidity, or moisture. Operate the device only within the specific temperature range of 0°C (32°F) to 40°C (104°F). Should the temperature exceed this range, unplug and/or switch off the device to let the temperature stabilize to an optimal level.

The device isolates external ambient sounds even at low volumes, resulting in lowered awareness of your external surroundings. Please remove the device when engaging in activities requiring active awareness of your surroundings.

Listening to excessively loud volumes over extended periods can damage your hearing. Furthermore, legislation of certain countries permits a maximum sound level of 86db to affect your hearing for 8 hours a day. We, therefore, recommend that you reduce the volume to a comfortable level when listening for prolonged periods. Please, take good care of your hearing.

MAINTENANCE AND USE

The Razer Kaira X requires minimum maintenance to keep it in optimum condition. Once a month, we recommend you unplug the device and clean it using a soft cloth or cotton swab to prevent dirt buildup. Don't use soap or harsh cleaning agents.

7. LEGALESE

COPYRIGHT AND INTELLECTUAL PROPERTY INFORMATION

©2022 Razer Inc. All rights reserved. Razer, the triple-headed snake logo, Razer logo, and "For Gamers. By Gamers." are trademarks or registered trademarks of Razer Inc. and/or affiliated companies in the United States or other countries. All other trademarks are the property of their respective owners.

Windows and the Windows logo are trademarks of the Microsoft group of companies.

Razer Inc. ("Razer") may have copyright, trademarks, trade secrets, patents, patent applications, or other intellectual property rights (whether registered or unregistered) concerning the product in this guide. Furnishing of this guide does not give you a license to any such copyright, trademark, patent or other intellectual property right. The Razer Kaira X (the "Product") may differ from pictures whether on packaging or otherwise. Razer assumes no responsibility for such differences or for any errors that may appear. Information contained herein is subject to change without notice.

LIMITED PRODUCT WARRANTY

For the latest and current terms of the Limited Product Warranty, please visit razer.com/warranty.

LIMITATION OF LIABILITY

Razer shall in no event be liable for any lost profits, loss of information or data, special, incidental, indirect, punitive or consequential or incidental damages, arising in any way out of distribution of, sale of, resale of, use of, or inability to use the Product. In no event shall Razer's liability exceed the retail purchase price of the Product.

GENERAL

These terms shall be governed by and construed under the laws of the jurisdiction in which the Product was purchased. If any term herein is held to be invalid or unenforceable, then such term (in so far as it is invalid or unenforceable) shall be given no effect and deemed to be excluded without invalidating any of the remaining terms. Razer reserves the right to amend any term at any time without notice.