

**SAMSUNG  
ELECTRONICS**



Printed in Korea  
E Type. 12/2014  
A00429 Rev.1.0



[www.samsung.com](http://www.samsung.com)

Copyright © 2014 Samsung Electronics



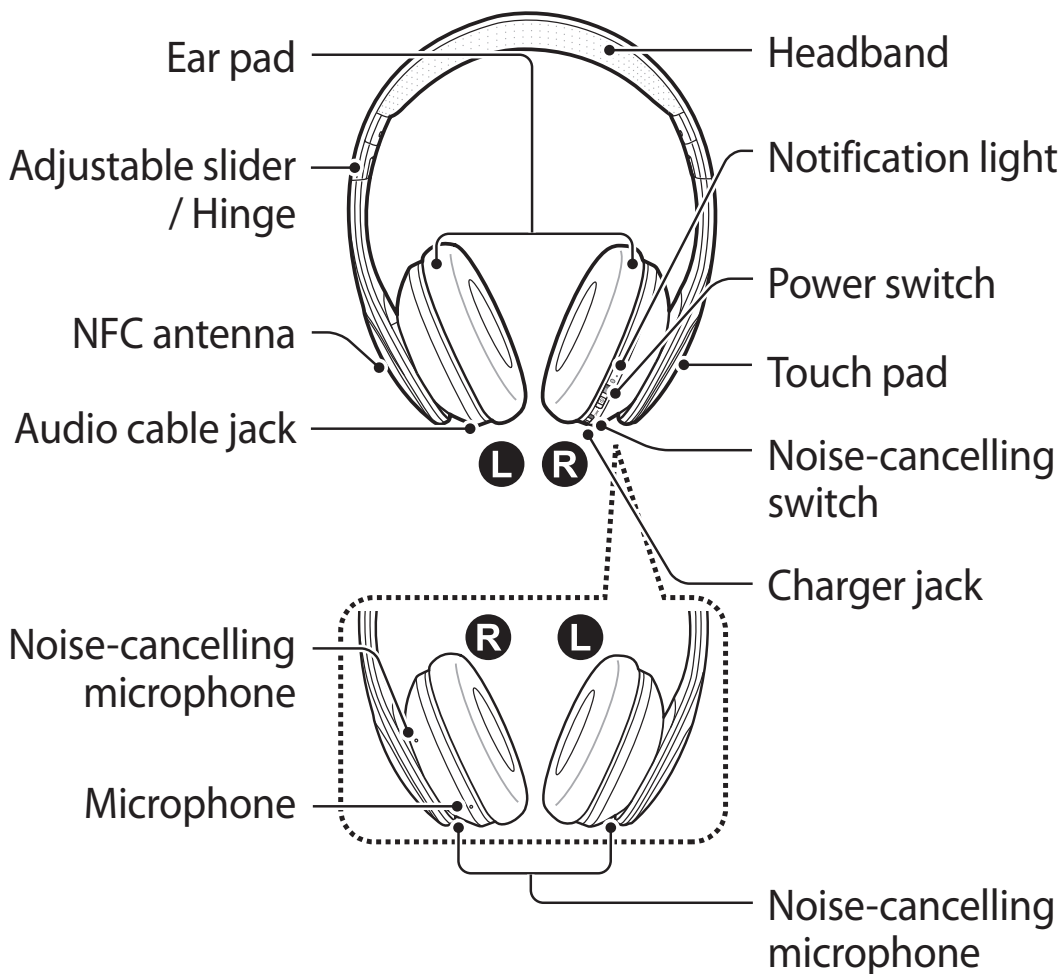
- Please read this manual before using the device to ensure safe and proper use.
- Images may differ in appearance from the actual product. Content is subject to change without prior notice.

## Notices for using Bluetooth

- Bluetooth<sup>®</sup> is a registered trademark of Bluetooth SIG, Inc. worldwide.
- When the device is connected to another device via a wireless connection, place your device near to the connected device. Otherwise, the device may not work properly or it may be affected by signal interference.
- Ensure that your device and the other Bluetooth device are within the maximum Bluetooth range (10 m). The range may change depending on the environment the device is used in.
- Ensure that there are no obstacles between your device and a connected device while using a wireless connection. Obstacles include walls and fences. If there are obstacles between the devices, the operating distance may be reduced.
- Ensure that the Bluetooth antenna on the connected device is not covered or obstructed.
- Bluetooth uses the same frequency as some industrial, scientific, medical, and low power products and interference may occur when making connections near these types of products.

- Some devices, especially those that are not tested or approved by the Bluetooth SIG, may be incompatible with your device.
- Do not use the Bluetooth feature for illegal purposes (for example, pirating copies of files or illegally tapping communications for commercial purposes). Samsung is not responsible for the repercussion of illegal use of the Bluetooth feature.

## Device layout



## Package contents

Device, Pouch, USB cable, 3.5 mm audio cable, user manual



The items supplied with the device and any available accessories may vary depending on the region or service provider.

## Charging the battery

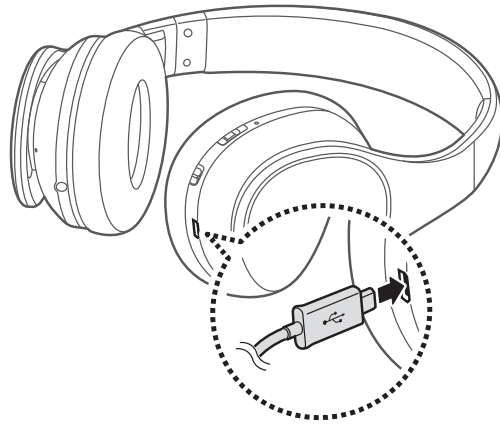
This device has a built-in battery. Before using the device for the first time or when the battery has been unused for extended periods, you must charge the battery.



Use only Samsung-approved chargers and cables. Unapproved chargers or cables can cause the battery to explode or damage the device.

Connect the device to a computer or the USB power adaptor via the USB cable.

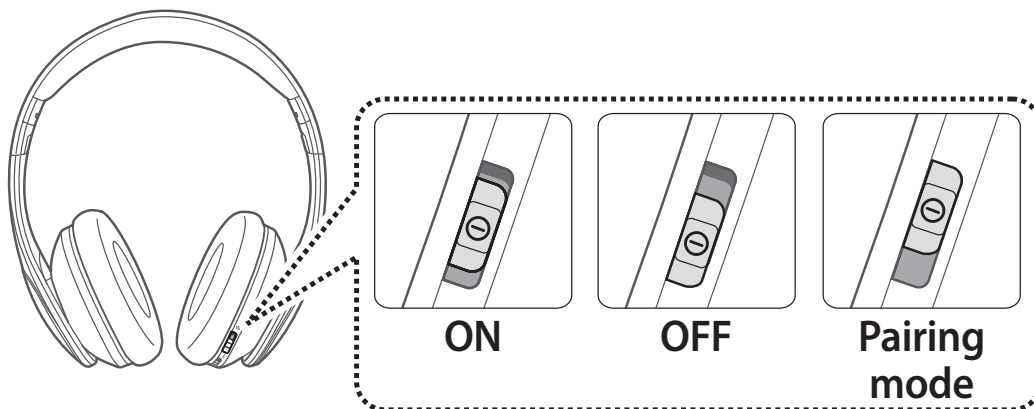
- The notification light turns red while the device is being charged. The notification light turns green when charging is complete.



- To save energy, unplug the charger when not in use. The charger does not have a power switch, so you must unplug the charger from the electric socket when not in use to avoid wasting power. The charger should remain close to the electric socket and easily accessible while charging.
- The socket-outlet shall be installed near the equipment and shall be easily accessible.

## Turning the device on or off

Slide the Power switch up to turn on the device.

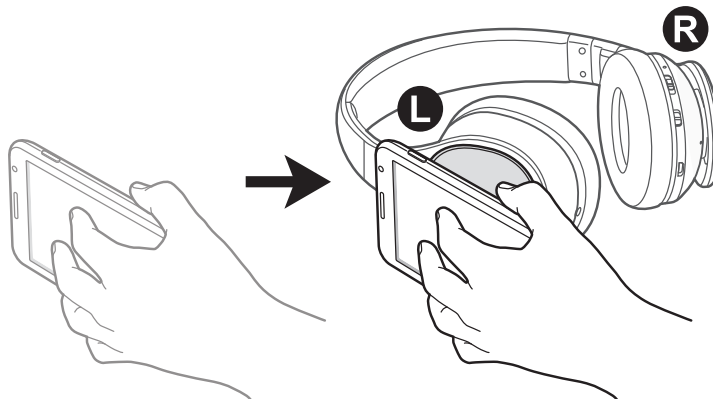


# Registering the device and connecting via the Bluetooth feature

## Connecting via the NFC feature

- 1 Activate the NFC and Bluetooth features on the other device.
- 2 Turn on the headset and place the other device's NFC antenna near the NFC antenna area (L) of the headset.

Device connection is complete after you allow the other device to connect to your headset.



## Connecting devices manually

- 1 Slide the Power switch to pairing mode and hold it for 3 seconds.  
The headset enters the Bluetooth pairing mode and the notification light flashes red, green, and then blue.
- 2 On the Bluetooth-enabled device, activate the Bluetooth feature and select **Samsung Level On** from the detected device list.



- Once devices are paired, recently connected devices automatically connect to your headset whenever you turn it on.
- The NFC antenna area and the method for connecting via the Bluetooth feature may differ depending on the device. For more information, refer to the device's user manual.

## Disconnecting from other devices

Turn off the headset or deactivate the Bluetooth feature. Alternatively, place the connected device's NFC antenna near the NFC antenna area (L) of the headset.

## Removing background noise

To remove background noise, activate the noise-cancelling feature by sliding the noise-cancelling switch upward.

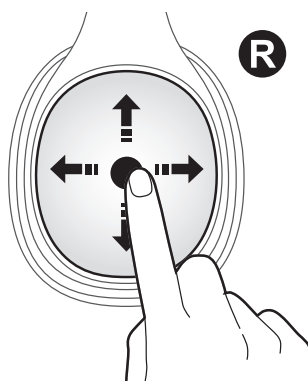
## Using the touch pad

Use the touch pad on the right side of the headset to control the connected device's functions.





- Use only one finger on the touch pad. It may not work if you use more than one finger.
- The touch pad cannot be used while the headset is connected to another device via an audio cable.



Function	Method
Adjusting the volume	<ul style="list-style-type: none"><li>• Drag upwards or downwards.</li></ul>
Playing multimedia files	<ul style="list-style-type: none"><li>• Play or pause the file: Double-tap.</li><li>• Play the next or previous file: Drag forwards or backwards.</li></ul>
Using calling features	<ul style="list-style-type: none"><li>• Answer or end a call: Double-tap.</li><li>• Reject a call: Tap and hold for more than 3 seconds.</li></ul>
Launching S Voice	<ul style="list-style-type: none"><li>• Tap and hold for more than 3 seconds.</li></ul>

# Sharing music with other headsets

Share music that you are listening to on your headset with other headsets of the same model.

Ensure that the headset that you want to share music with is turned on.

## **Method 1** Using the Power switch

Slide the Power switch to pairing mode. Music that you are currently listening to on your headset is shared with other headsets of the same model.

To listen to music playing on another headset, slide the Power switch to pairing mode twice.

## **Method 2** Using Samsung Level

On the connected smartphone, download the Samsung Level application from Google Play or GALAXY Apps. Launch the application to share music with other headsets of the same model.

For more information, refer to the application's help information.



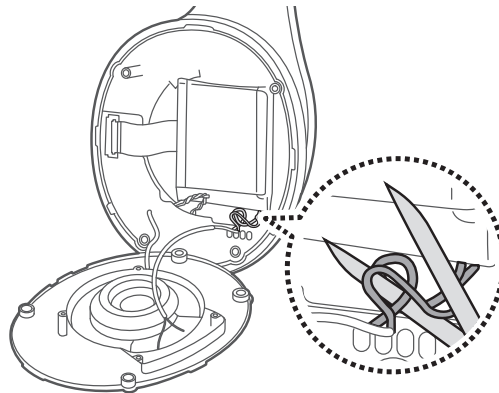
This application is compatible with Samsung smartphones running Android operating system **4.2.2** or later. The functions may differ depending on the smartphone or the operating system.

## Removing the battery (non-removable type)



These instructions are only for your service provider or an authorised repair agent. Damage or faults caused by the unauthorised removal of the battery are not covered by the warranty.

- 1 Remove the headset's left ear pad.
- 2 Loosen and remove the four screws and open the cover.
- 3 Cut the two wires as shown in the image below.



- 4 Remove the battery.

# Safety information

Follow the safety information to prevent injury to yourself or others and to prevent damage to your device.

**Do not touch the device with wet hands**

**Do not drop or cause an impact to the charger or the device**

**Keep your device dry**

**Do not store your device in very hot or very cold areas. It is recommended to use your device at temperatures from 5 °C to 35 °C**

**Do not store your device near magnetic fields**

**Do not disassemble, modify, or repair your device**

**Do not use chemicals or detergents when cleaning your device**

**Protect your hearing and ears when using a device**



- Use caution to avoid long-term exposure to loud sounds to prevent damage to your hearing.
- Do not use a device while driving or riding. Doing so may distract your attention and cause an accident, or may be illegal depending on your region.

**Do not use your device in a hospital, on an aircraft, or in an automotive equipment that can be interfered with by radio frequency**

# Correct disposal of this product



(Waste Electrical & Electronic Equipment)

(Applicable in countries with separate collection systems)



This marking on the product, accessories or literature indicates that the product and its electronic accessories (e.g. charger, headset, USB cable) should not be disposed of with other household waste.

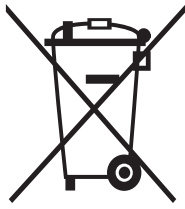
To prevent possible harm to the environment or human health from uncontrolled waste disposal, please separate these items from other types of waste and recycle them responsibly to promote the sustainable reuse of material resources.

Household users should contact either the retailer where they purchased this product, or their local government office, for details of where and how they can take these items for environmentally safe recycling.

Business users should contact their supplier and check the terms and conditions of the purchase contract. This product and its electronic accessories should not be mixed with other commercial wastes for disposal.

This product is RoHS compliant.

# Correct disposal of batteries in this product



(Applicable in countries with separate collection systems)

This marking on the battery, manual or packaging indicates that the battery in this product should not be disposed of with other household waste. Where marked, the chemical symbols Hg, Cd or Pb indicate that the battery contains mercury, cadmium or lead above the reference levels in EC Directive 2006/66.

The battery incorporated in this product is not user replaceable. For information on its replacement, please contact your service provider. Do not attempt to remove the battery or dispose it in a fire. Do not disassemble, crush, or puncture the battery. If you intend to discard the product, the waste collection site will take the appropriate measures for the recycling and treatment of the product, including the battery.

## **FCC ID: A3L-EOPN900**

### **FCC Part 15.19**

This device complies with part 15 of the FCC Rules. Operation is subject to the following two conditions: (1) This device may not cause harmful interference, and (2) this device must accept any interference received, including interference that may cause undesired operation.

### **FCC Part 15.21**

Any changes or modifications (including the antennas) to this device that are not expressly approved by the manufacturer may void the user's authority to operate the equipment.

## **IC: 649E-EOPN900**

This device complies with Industry Canada licence-exempt RSS standard(s).

Operation is subject to the following two conditions: (1) this device may not cause interference, and (2) this device must accept any interference, including interference that may cause undesired operation of the device.

Le présent appareil est conforme aux CNR d'Industrie Canada applicables aux appareils radio exempts de licence.

L'exploitation est autorisée aux deux conditions suivantes : (1) l'appareil ne doit pas produire de brouillage, et (2) l'utilisateur de l'appareil doit accepter tout brouillage radioélectrique subi, même si le brouillage est susceptible d'en compromettre le fonctionnement.